


# PRODUCT SHEET

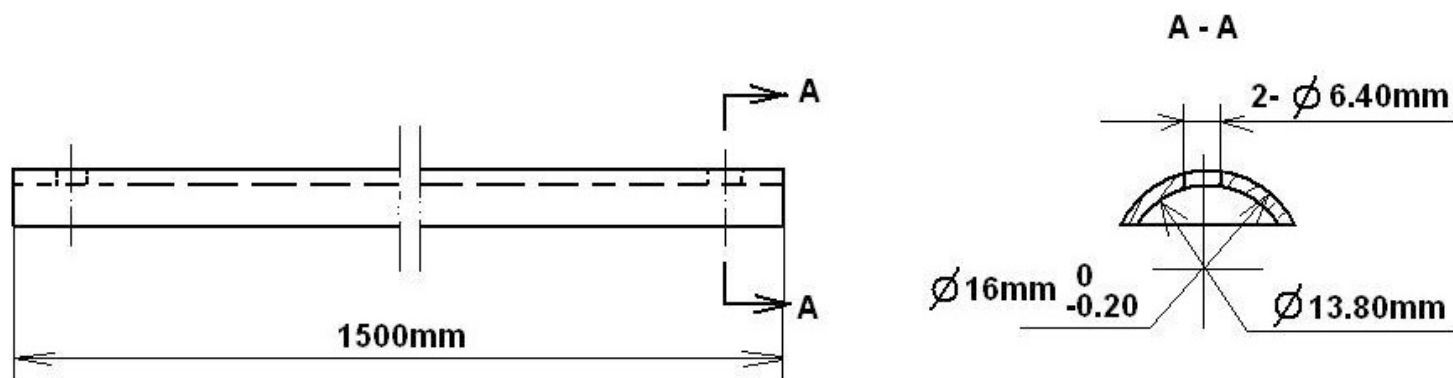
## Description:

Locking Bar 1500mm, F/Pasquil Lock 844, Steel-Black Coated

## Item number:

14.05.560-6

Units	Box	Carton	HS Code	Barcode
Pcs.	10	100	8301600090	
				5704866464093



**Material:** steel

**Finishing:** yellow zinc plated or black plastic coated.